

Hallway

DALI-2 Input Device - surface
 EAN 4007841 064549
 Article number 064549



max. 25 x 3 m



IP20



brightness



temperature



air humidity



2 - 12 m



KNX

5 years

manufacturer's
 warranty steinel-
 professional.de/
 garantie



CE

Function description

The cleverer hallway sensor knows more. Perfect radial detection up to 25 m – ideal for long corridors and hallways. Reach can be adjusted in both directions. Contemporary Control PRO II design. Featuring Bluetooth technology. Interfaces for COM1, COM2, DALI-2 APC, DALI-2 IPD, KNX, IP and BT IPD (Slave).

Technical specifications

Dimensions (L x W x H)	62 x 123 x 123 mm	Mounting height	2,00 – 4,00 m
With motion detector	Yes	Mounting height max.	4,00 m
Manufacturer's Warranty	5 years	Optimum mounting height	2,8 m
Settings via	Bluetooth, Bus	HF-system	5,8 GHz
With remote control	No	Detection	also through glass, wood and stud walls
Version	DALI-2 Input Device - surface	Detection angle	Aisle, 360 °
PU1, EAN	4007841064549	Angle of aperture	140 °
Type	Presence detector	Sneak-by guard	Yes
Application, place	Indoors	Capability of masking out individual segments	No
Application, room	Indoors, corridor / aisle	Electronic scalability	Yes
Colour	white	Mechanical scalability	No
Colour, RAL	9003	Reach, radial	25 x 3 m (75 m ²)
Includes corner wall mount	No	Reach, tangential	25 x 3 m (75 m ²)
Installation site	ceiling	Transmitter power	< 1 mW
Installation	Surface wiring, Ceiling	Basic light level function	No
IP-rating	IP20		
Ambient temperature	from -20 up to 50 °C		

Hallway

DALI-2 Input Device - surface
EAN 4007841 064549
Article number 064549



Technical specifications

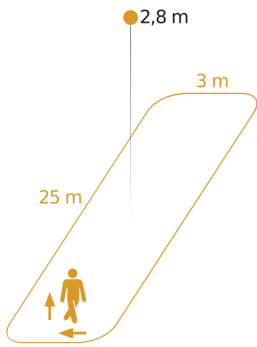
Material	Plastic
Mains power supply	12 – 23 V
Power supply, detail	DALI bus
With bus coupling	Yes
Technology, sensors	High frequency, Light sensor, Temperature, Air humidity

Main light adjustable	No
Twilight setting TEACH	No
Constant-lighting control	Yes
Interconnection	Yes
Type of interconnection	Master/slave
Interconnection via	Bluetooth, DALI bus
Product category	Presence detector

Hallway

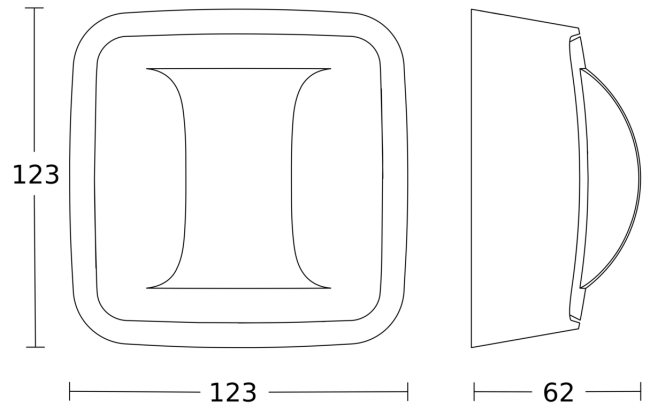
DALI-2 Input Device - surface
EAN 4007841 064549
Article number 064549

Detection Zone



Possible mounting height: 2,00 m - 4,00 m
Orange: radial and tangential

Dimension Drawing



Circuit diagram

